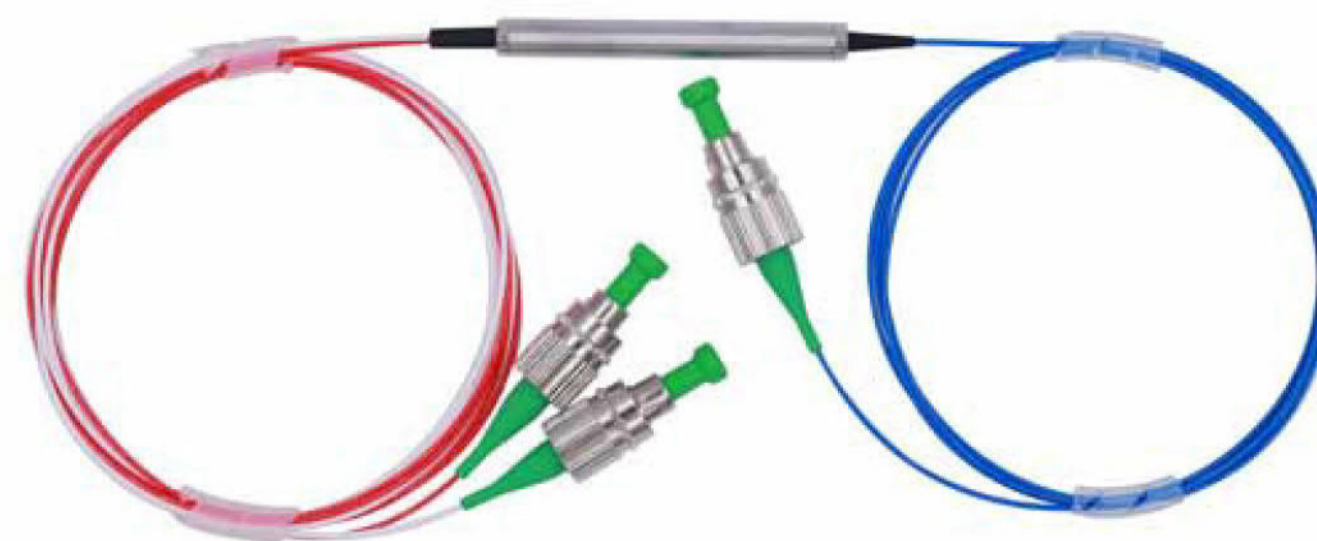


PM Circulator 1310nm or 1550nm



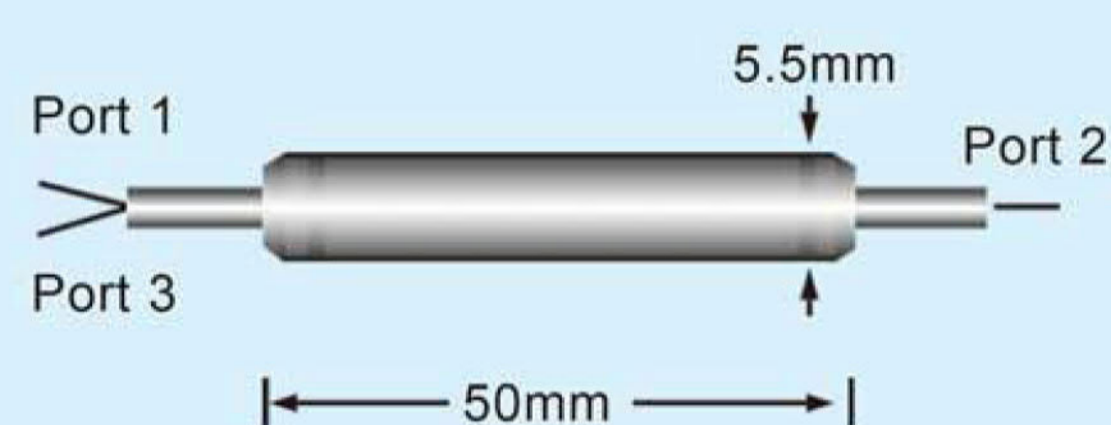
Features

- Low insertion loss
- Wide band high isolation
- High extinction ratio
- High return loss
- High stability and reliability

Applications

- Fiber laser
- Fiber sensor
- Communication system
- Test instrumentations
- Polarization maintaining optical system

Package Dimension



Performance Specifications

| Parameter | Specification |
|-------------------------------|------------------------------------|
| Configuration | Port 1 to Port 2, Port 2 to Port 3 |
| Operation Wavelength (nm) | 1310 or 1550 or Specify |
| Bandwidth (nm) | ±30 |
| Insertion Loss (@23°C) (dB) | ≤1.0 |
| Extinction Ratio (@23°C) (dB) | ≥18 |
| Isolation (@23°C) (dB) | ≥40 |
| Return Loss (dB) | ≥50 |
| Fiber Type | PM1310 or PM1550 or Specify |
| Crosstalk (dB) | ≥50 |
| Maximum Power Handling (mW) | 300 or Specify |
| Operating Temperature (°C) | -5 ~ +50 |
| Storage Temperature (°C) | -40 ~ +85 |
| Dimension (mm) | Ø5.5 x L50 |

Note:

1. For device with connector, IL is 0.3dB higher, RL is 5dB lower, ER is 2dB lower.
2. Specifications may change without notice.

Ordering Information

| PMOC | <input type="checkbox"/> | <input type="checkbox"/> | <input type="checkbox"/> | <input type="checkbox"/> | <input type="checkbox"/> | <input type="checkbox"/> | <input type="checkbox"/> |
|------|--------------------------|--------------------------------------|---|---------------------------------------|---------------------------------|-----------------------------|---|
| | Port | Wavelength | Axis Alignment | Fiber Type | Fiber Diameter | Fiber Length | Connector |
| | 3=3 Ports | 13=1310nm 15=1550nm SS=Specify | 1=Slow axis working, Fast axis blocked 2=Both axis Working S=Specify | 13=PM 1310 15=PM 1550 S=Specify | 0=250µm 1=900µm S=Specify | 0=0.5m 1=1m S=Specify | 0=None 1=FC/APC 2=FC/UPC 3=SC/APC 4=SC/UPC 5=LC/APC 6=LC/UPC 7=ST S=Specify |